

## DS-2TX3636-10P/V1 Thermal Smart Linkage Tracking System



Hikvision DS-2TX3636-10P/V1 Thermal Smart Linkage Tracking Systems is formed by one fixed camera and one PTZ camera. The PTZ camera smartly tracks multiple moving targets, and the fixed camera offers the panoramic view. The linkage of both can be realized by the client software. The system mainly applies to major industrial infrastructures requiring perimeter prevention, such as: airport, prison, railway, museum, enterprise, high-end villas and others.

### Feature

- Leading image processing technology: Adaptive AGC, DDE, 3D DNR, NETD less than 40mk (@25°C, F#=1.0)
- 384 × 288 resolution sensor, high sensitivity sensor, support contrast adjustment
- Speed Dome: Support 36 × optical zoom with over 200 m IR distance.

### Smart Function

- Smart analysis and linkage, no VCA Server configuration requirement
- Automatic smart linkage system tracking: Stable and continuous tracking
- Manual smart tracking: Select any region of fixed camera in the client software, the speed dome automatically adjusts PTZ to centralize the selected region
- Up to 30 targets simultaneously trackable. Up to 100 m effective detecting distance (to human targets) and 300 m effective detecting distance (to vehicle targets)



## Specification

System Function	
Click Linkage	Support
Tracking Mode	Manual/Auto
Multi-targets Tracking	Up to 30 Targets Simultaneously; with up to 100 m effective detecting distance (to human targets) and 300 m effective detecting distance (to vehicle targets)
Switch Time	Less than 1s
Smart Linkage Rules	Support Intrusion Detection, Line Crossing Detection
Tracking Time Configuration	Support
Sensitivity Configuration	Support
Fixed Camera	
Image Sensor	Vanadium Oxide Uncooled Focal Plane Arrays
Max. Resolution	384 × 288
Pixel Interval	17μm
Response Waveband	8μm to 14μm
NETD	less than 40mk (@25°C, F#=1.0)
Lens (Focal Length)	10 mm
IFOV	1.70 mrad
Field of View	37.20° × 28.33° (H × V)
Min. Focusing Distance	1 m
Aperture	F 1.0
Main Stream	50fps (384×288)
Sub Stream	50fps (384×288)
Third Stream	50fps (384×288)
Video Compression	H.264 (Baseline/Main/High Profile) /MJPEG/H.265, H.264+, H.265+
Audio Compression	G.711u/G.711a/G.722.1/MP2L2/G.726/PCM
Alarm Input	2-ch inputs (0-5vDC)
Alarm Output	2-ch relay outputs, alarm response actions configurable
Audio Input	1 3.5mm Mic in/Line in interface. Line input: 2-2.4V[p-p], output impedance: 1KΩ±10%
Audio Output	Line level, impedance: 600Ω
Memory Card	Built-in Micro SD card slot, support Micro SD/SDHC/SDXC card (up to 64G), support manual/alarm recording
Speed Dome	
Image Sensor	1/1.9" Progressive Scan CMOS
Min. Illumination	50 IRE; Color: 0.002Lux @ (F1.5, AGC ON), B/W: 0.0002Lux @ (F1.5, AGC ON), 0 Lux with IR
Max. Image Resolution	1920 × 1080
Focal Length	5.7 to 205.2, 36×
Digital Zoom	16 ×
Zoom Speed	Approx. 7.4s (Optical, Wide-Tele)
Angle of View	58.7 ° to 2.0 ° (Wide-Tele)

Min. Working Distance	10 mm to 1500 mm (Wide-Tele)
Aperture Range	F 1.5 to F 4.5
Focus Mode	Auto/Semiautomatic/Manual
WDR	120dB
Shutter Time	50 Hz: 1s to 30,000s; 60Hz: 1s to 30,000s
AGC	Auto/Manual
White Balance	Auto/Manual/ATW (Auto-tracking White Balance)/Indoor/Outdoor/Daylight Lamp/Sodium Lamp
Day & Night	IR cut filter
Privacy Mask	24 programmable privacy masks
Optical Defog	Support
Enhancement	3D DNR, EIS, HLC/BLC, SVC
Pan Speed	Manual Speed: 0.1°/s to 160°/s Preset: 240°/s
Tilt Speed	Manual Speed: 0.1°/s to 120°/s Preset: 200°/s
Main Stream	50Hz: 25fps (1920 × 1080, 1280 × 960, 1280 × 720); 60Hz: 30fps (1920 × 1080, 1280 × 960, 1280 × 720)
Sub Stream	50Hz: 25fps (704 × 576, 352 × 288, 176 × 144); 60Hz: 30fps (704 × 480, 352 × 240, 176 × 120)
Third Stream	50Hz: 25fps (1920 × 1080, 1280 × 960, 1280 × 720, 704 × 576, 352 × 288, 176 × 144); 60Hz: 30fps (1920 × 1080, 1280 × 960, 1280 × 720, 704 × 480, 352 × 240, 176 × 120)
Image Compression	H.264 (Baseline/Main/High Profile)/MJPEG/MPEG4
Audio Compression	G.711alaw/G.711ulaw/G.722/G.726/MP2L2/PCM
IR Distance	Up to 200m
Alarm Linkage	Preset, Patrol, Pattern, Micro SD/SDHC Card Recording, Aux Output, Notification on Client, FTP Uploading, Sending Email, Triggering Channel
Alarm Input	7-ch
Alarm Output	2 –ch; Support Alarm Linkage
Audio Input	1 LINE_IN Input and MIC Input; Peak: 2 to 2.4V [p-p]; Impedance: 1KΩ±10%
Audio Output	1; Linear Level; Impedance: 600Ω
Ethernet	10 Base-T/100 Base-TX. RJ45 Connector
On Board Storage	Built-in Micro SD/SDHC/SDXC Card Slot, Up to 128GB, Support Manual/Alarm Recording
Analog Video Output	1.0V [p-p]/75Ω, PAL/NTSC/BNC
RS-485	Half-duplex; HIKVISION, PELCO-P, PELCO-D Self-adaptive
<b>General</b>	
Movement Range	Network Camera (Universal Joint Module): Pan: 90°, Tilt: -45° to 45° Speed Dome: Pan: 360°, Tilt: -20° to 90°, Auto Flip
Mount	Pole Mount
Menu language	English
Power	24 V AC/5A, Max. consumption: 80W (with IR and heater on), IR Light consumption: Max. 24 W, and Heater consumption: Max. 15 W
Working Temperature/Humidity	-40°C to 65°C (-40 °F to 149 °F); Humidity: 90% or Less

Protection Level	IP66 Standard TVS 6000V Lightning protection, surge protection, voltage transient protection
Dimension	Φ266.6 mm × 908.1 mm (Φ10.5" × 35.8")
Weight	12.89 kg (Approx. 28.4 lbs)

## Detection Range Table

\* The table is only for reference, the performance may vary from camera to camera.

### Smart functions Range

Different targets trigger the VCA events within different range limits.

VCA Range (Vehicles: 1.4×4.0m)	VCA Range (Humans: 1.8×0.5m)	Temperature Measurement (Object:2×2 m)	Temperature measurement (Object:1×1 m)	Fire Detection (Object:2×2 m)	Fire Detection (Object:1×1 m)
300 m	100 m	234 m	118 m	588 m	294 m

### Wide Range Coverage

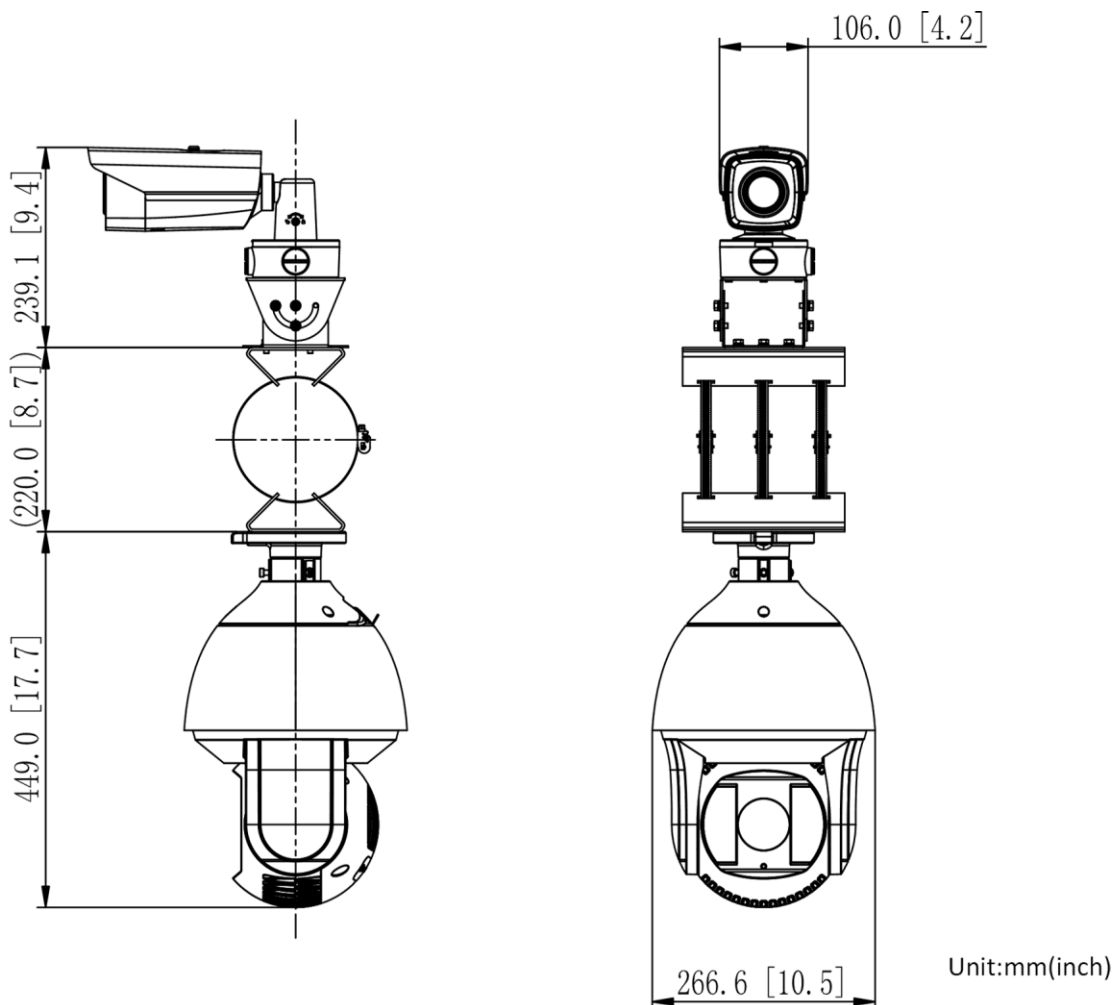
There is range limit for detecting, recognizing, and identifying human/vehicle targets.

Detection Range (Vehicles: 1.4×4.0m)	Detection Range (Humans: 1.8×0.5m)	Recognition Range (Vehicles: 1.4×4.0m)	Recognition Range (Humans: 1.8×0.5m)	Identification Range (Vehicles: 1.4×4.0m)	Identification Range (Humans: 1.8×0.5m)
902 m	294 m	225 m	74 m	113 m	37 m

### Available Model

DS-2TX3636-10P/V1

### Dimension



Distributed by

**HIKVISION®****Headquarters**

No.555 Qianmo Road, Binjiang District,  
Hangzhou 310051, China  
T +86-571-8807-5998  
overseasbusiness@hikvision.com

**Hikvision USA**  
T +1-909-895-0400  
sales.usa@hikvision.com

**Hikvision Australia**  
T +61-2-8599-4233  
salesau@hikvision.com

**Hikvision India**  
T +91-22-28469900  
sales@pramahikvision.com

**Hikvision Canada**  
T +1-866-200-6690  
sales.canada@hikvision.com

**Hikvision Thailand**  
T +662-275-9949  
sales.thailand@hikvision.com

**Hikvision Europe**  
T +31-23-5542770  
sales.eu@hikvision.com

**Hikvision Italy**  
T +39-0438-6902  
info.it@hikvision.com

**Hikvision Brazil**  
T +55 11 3318-0050  
Latam.support@hikvision.com

**Hikvision Turkey**  
T +90 (216)521 7070- 7074  
sales.tr@hikvision.com

**Hikvision Malaysia**  
T +601-7652-2413  
sales.my@hikvision.com

**Hikvision UK & Ireland**  
T +01628-902140  
sales.uk@hikvision.com

**Hikvision South Africa**  
Tel: +27 (10) 0351172  
sale.africa@hikvision.com

**Hikvision France**  
T +33(0)1-85-330-450  
info.fr@hikvision.com

**Hikvision Kazakhstan**  
T +7-727-9730667  
nikia.panfilov@hikvision.ru

**Hikvision Vietnam**  
T +84-974270888  
sales.vt@hikvision.com

**Hikvision UAE**  
T +971-4-4432090  
salesme@hikvision.com

**Hikvision Singapore**  
T +65-6684-4718  
sg@hikvision.com

**Hikvision Spain**  
T +34-91-737-16-55  
info.es@hikvision.com

**Hikvision Tashkent**  
T +99-87-1238-9438  
uzb@hikvision.ru

**Hikvision Hong Kong**  
T +852-2151-1761  
info.hk@hikvision.com

**Hikvision Russia**  
T +7-495-669-67-99  
sateru@hikvision.com

**Hikvision Korea**  
T +82-(0)31-731-8817  
sales.korea@hikvision.com

**Hikvision Poland**  
T +48-22-460-01-50  
info.pl@hikvision.com

**Hikvision Indonesia**  
T +62-21-2933759  
Sales.Indonesia@hikvision.com

**Hikvision Colombia**  
sales.colombia@hikvision.com